



MESSER 
Cutting Systems

METALMASTER 2.0
HIGH PERFORMANCE —
LOW PRICE

METALMASTER 2.0

HIGH PERFORMANCE – LOW PRICE



The Global Control 2.0 guides you in all operations so you start cutting each job quickly and simply. If you need help, the support codes link you straight to us.



Precision Plasma cutting with automatic gas console allows Messer Hole Technology.



Optionally Oxyfuel cutting is also possible for heavier material.





The optional high frequency punch marker permits accurate marking of points and lines.



METALMASTER 2.0 MESSER KNOW-HOW — YOUR SUCCESS:

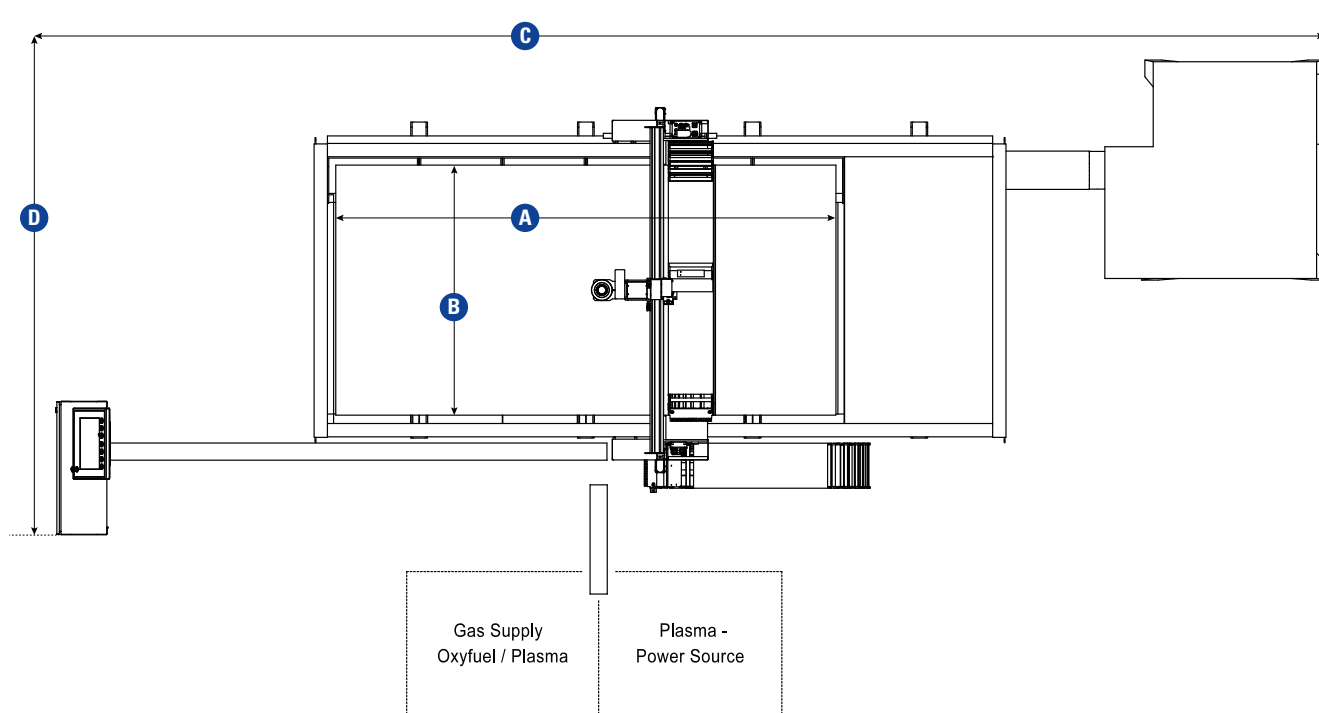
- Messer quality at a competitive price means unrivalled value for money
- Compact design reduces space requirements
- Positioning speed of 35 m/min reduces idle time between cuts
- High cutting speeds of up to 5 m/min possible (depending upon material and process)
- For Plasma up to 50 mm* and Oxyfuel up to 60 mm
- Free standing control console for ease of access and safe operation
- Easy access to the cutting bed from all sides permits quick and efficient unloading and reloading reducing idle time between plates
- Integrated fume extraction to meet all environmental standards for dust and fumes
- Specially designed slag trays for easy table cleaning and efficient extraction
- Global Control, the most user-friendly touch-screen control on the market means:
 - Easy operation, from loading program to cutting in only 3 steps
 - Modern, Windows® operating system so "future safe"
- SmartLifter SL100: stroke speed of 16 m/min so less than 0,5 seconds for full stroke
- Process optimisation for plasma gives higher productivity: saves up to 5 seconds per start
- Collision recognition (e.g. with tilted part) plus magnetic torch holder for plasma reduces risk of torch damage
- Reliable height control via arc-voltage control improves nozzle life and cut quality

* depending on power supply

METALMASTER

Technical Data (dimensions in mm)

MetalMaster	3015	4020	6020
A Working Length	3000	4000	6000
B Working Width	1500	2000	2000
C Overall Length	7600	8900	10900
D Overall Width	3200	3900	3900
Table Height	1000	1000	1000



Messer Cutting Systems GmbH
 Otto-Hahn-Strasse 2-4
 64823 Groß-Umstadt
 Germany
 Tel. +49 (0) 6078 787-0
 Fax +49 (0) 6078 787-150
 info@messer-cs.de
 www.messer-cs.de